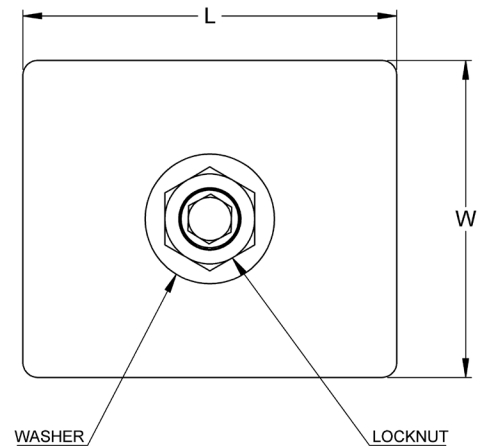
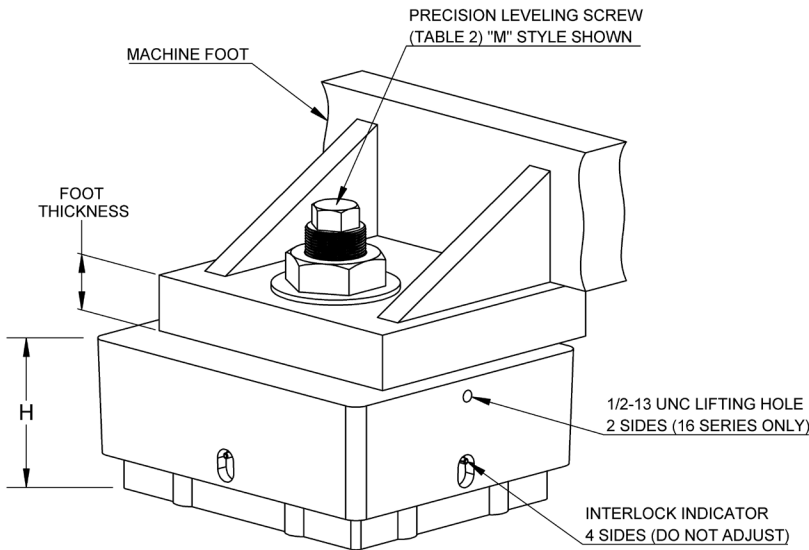




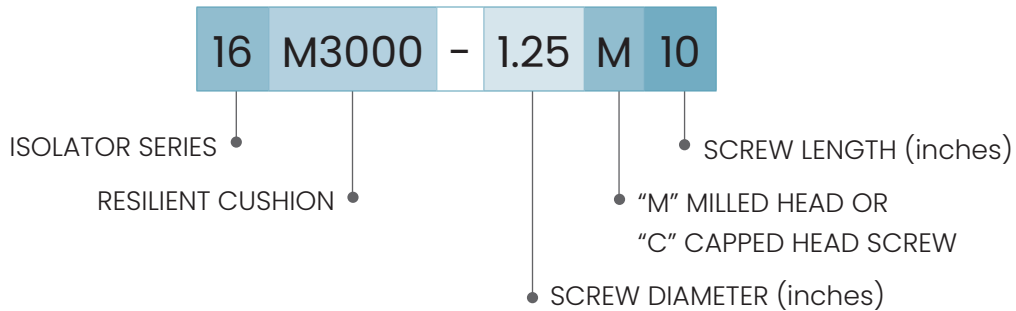
- Elastomer vibration & shock mount
 - protects environment against transmitted vibration & shock
 - protects sensitive equipment from incoming vibration & shock
 - faster, easier installations compared to grouting & anchoring
- Vertical leveling screw
 - secures mount to machine foot
 - provides precision leveling
 - compensates for sloping floor
- Proper machine support
- Proprietary elastomer cushions
 - oil and chemical resistant
 - multiple hardness & thickness for better isolation effectiveness
 - neoprene, nitrile standard compounds
- Meets OSHA anchoring requirements



TYPICAL APPLICATIONS

- | | | | |
|---------------------------|----------------|---------------------|---------------------|
| • Presses, Mechanical | • Press brakes | • Swagers | • Cold Headers |
| • Forging Presses | • Shears | • Broaching | • Vertical Lathes |
| • Metal Container Presses | • Grinders | • Die Casters | • Machining Centers |
| • Turret Punch Presses | • Mills | • Injection Molders | • Generators |

Isolator		L		W		H ±1/8" (3mm)						Weight		Leveling Screw	Foot Thickness Up To:		Weight	
Series	Model					Minimum		Maximum		Installed					16 Series			
		inch	mm	inch	mm	inch	mm	inch	mm	inch	mm	lbs	Kg		inch	mm	lbs	Kg
16	16M1500	16.3	414	13.3	338	5.75	146.1	6.75	171.5	6.25	158.8	161	73.0	1.125M6	1.7	43	1.6	0.73
	16M2100	16.3	414	13.3	338	5.75	146.1	6.75	171.5	6.25	158.8	160	72.6	1.125M8	3.7	94	2.1	0.95
	16M3000	16.3	414	13.3	338	5.75	146.1	6.75	171.5	6.25	158.8	161	73.0	1.125M10	5.7	145	2.6	1.18
	16L700	16.3	414	13.3	338	5.00	127.0	6.00	152.4	5.50	139.7	152	69.0	1.125M12	7.7	196	3.1	1.41
	16L1000	16.3	414	13.3	338	5.00	127.0	6.00	152.4	5.50	139.7	154	69.9	1.25M6	1.5	38	2.0	.91
	16L1400	16.3	414	13.3	338	5.00	127.0	6.00	152.4	5.50	139.7	155	70.3	1.25M8	3.5	89	2.6	1.18
	16L2000	16.3	414	13.3	338	5.00	127.0	6.00	152.4	5.50	139.7	155	70.3	1.25M10	5.5	140	3.3	1.5
	16K1800	16.3	414	13.3	338	5.00	127.0	6.00	152.4	5.50	139.7	162	73.5	1.25M12	7.5	191	3.9	1.77
	16K2500	16.3	414	13.3	338	5.00	127.0	6.00	152.4	5.50	139.7	162	73.5	1.5M7	2.4	61	3.4	1.54
															1.5M8	3.4	86	3.9
														1.5M10	5.4	137	4.8	2.18
														1.5M12	7.4	188	5.8	2.63
														1.5M14	9.4	239	6.7	3.04
														1.5M16	11.4	290	7.6	3.45
														1.75M8	3.2	81	5.4	2.45
														1.75M10	5.2	132	6.6	2.99
														1.75M12	7.2	183	8.0	3.63
														2M8	3.2	81	7.1	3.22
														2M10	5.1	130	8.8	3.99
														2M12	7.1	180	10.5	4.76
														2.25M7	2.0	51	8.3	3.77
														2.25M8	3.0	76	9.3	4.22
														2.25M10	5.0	127	10.7	4.85
<i>Other Stock & Custom Lengths Available</i>																		



NOTE: Isolator data subject to change without notice.

09/10/2024

